

MACHINES FOR WORLD CLASS CLEANING AND DISINFECTION

---

PESUTEKNC

---

FOOD INDUSTRY

# KNIFE STERILIZER





**Pool volume**

- 3,9 litres

**Washing temperature range**

- max +90°C

**Dimensions**

- W 249 D 107H 500 (mm)

**Weight**

- 7 kg

**Construction**

- Stainless steel AISI 304

**Other**

- CE

**CONNECTIONS**

**Inlet water**

- Cold water inlet  $\varnothing$ 12mm

**Drain**

- Valve, R1/2"

**Electrical**

- Voltage 3 x 230 V 50/60 Hz
- Fuse 16 A
- Power 2350 W

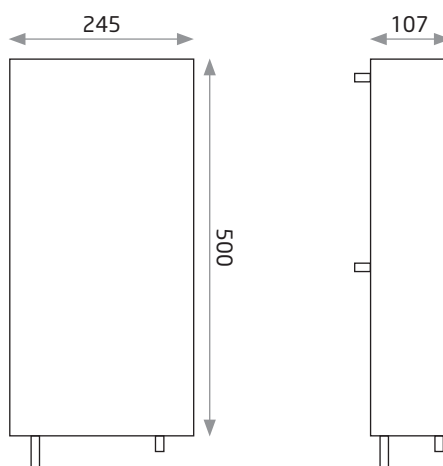
# KNIFE STERILIZER

**Handy Sterilizer for knives and sharpening steels.**

- Disinfection at +85-90°C
- Warm-up to +85°C in 10 minutes
- Safe double casing
- Durable stainless steel construction
- Easy to mount & use
- Low maintenance & running costs
- Plastic knife rack inside

*Perfectly disinfected. 6 knives and steel with Pesutekno STERILIZER. When affordable but effective and safe disinfection is all your need, Sterilizer is a good choice. While the machine is quite simple for the extended durability, it still features very important and useful functions. User adjustable water temperature up to +85°C with temperature meter gives you precise results for all purposes.*

With Pesutekno Sterilizer, you have one less item to worry about.



units: mm